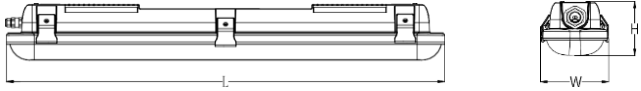


BR5251	4FT 30-55W CCT3 IP65 NCF	BR5257	5FT 30-55W CCT3 IP65 NCF MW
BR5252	4FT 30-55W CCT3 IP65 NCF EM	BR5258	5FT 30-55W CCT3 IP65 NCF MW EM
BR5253	4FT 30-55W CCT3 IP65 NCF MW	BR5259	6FT 40-80W CCT3 IP65 NCF
BR5254	4FT 30-55W CCT3 IP65 NCF MW EM	BR5260	6FT 40-80W CCT3 IP65 NCF EM
BR5255	5FT 30-55W CCT3 IP65 NCF	BR5261	6FT 40-80W CCT3 IP65 NCF MW
BR5256	5FT 30-55W CCT3 IP65 NCF EM	BR5262	6FT 40-80W CCT3 IP65 NCF MW EM

## LED CCT3 & Power Change NCF

Features	Dimensions																
<ul style="list-style-type: none"> <li>Two-part assembly for easy installation</li> <li>Wide voltage range 100V-240V AC</li> <li>20mm conduit knockouts for rear and side cable entry</li> <li>Emergency versions fitted with 4-way terminal stock</li> <li>Tough polycarbonate IP65 housing</li> <li>Supplied with dual brackets for suspension and wall mounting</li> <li>Ideal replacement for fluorescent luminaires</li> </ul>	 <table border="1"> <thead> <tr> <th>Fitting Type</th> <th>Length (L)</th> <th>Width (W)</th> <th>Height (H)</th> </tr> </thead> <tbody> <tr> <td>4ft</td> <td>1200mm</td> <td>96mm</td> <td>83mm</td> </tr> <tr> <td>5ft</td> <td>1500mm</td> <td>96mm</td> <td>83mm</td> </tr> <tr> <td>6ft</td> <td>1800mm</td> <td>96mm</td> <td>83mm</td> </tr> </tbody> </table>	Fitting Type	Length (L)	Width (W)	Height (H)	4ft	1200mm	96mm	83mm	5ft	1500mm	96mm	83mm	6ft	1800mm	96mm	83mm
Fitting Type	Length (L)	Width (W)	Height (H)														
4ft	1200mm	96mm	83mm														
5ft	1500mm	96mm	83mm														
6ft	1800mm	96mm	83mm														

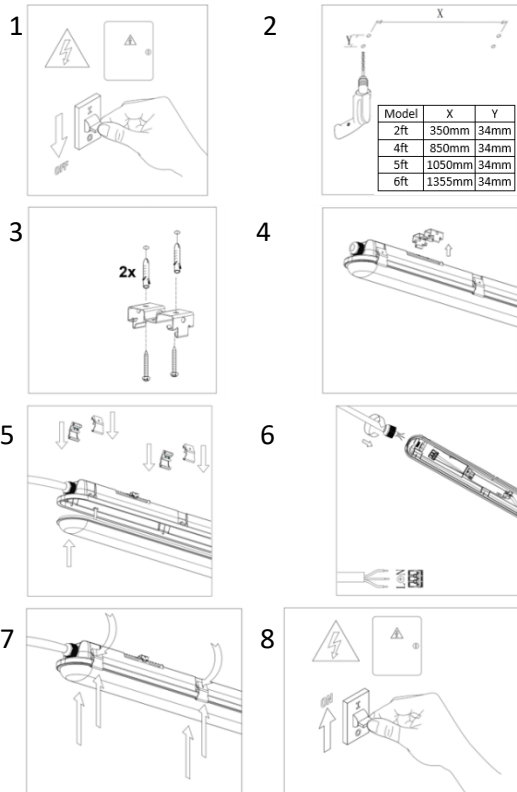
### Safety Instructions

- These instructions should be read carefully and retained after installation for future reference and maintenance.
- Ensure that the mains power is switched off before carrying out installation or maintenance.
- Check that the total load on the circuit including this luminaire does not exceed the rating of the circuit cable, fuse or circuit breaker. It is recommended that luminaires are installed and fitted by a qualified electrician ensuring the installation complies with the current edition of IET wiring regulations - BS 7671. This luminaire is electrical class 1 construction and must be earthed.
- Ensure all electrical connections are secure and that there are no loose strands.

### Environmental Instructions

This product may contain substances that can be hazardous to the environment if not disposed of properly. Electrical and electronic equipment should never be disposed of with general household waste but must be separated for its correct treatment and recovery. Where possible recycle your packaging.

### Installation Instructions



### SUGGESTED METHOD OF INSTALLATION

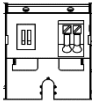
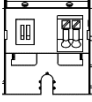
Read instructions and check you have all the tools and accessories to complete the installation safely and in compliance with current electrical standards.

- Isolate mains supply prior to installation.
- Mark out the positions for the metal fixing brackets, see table for distance between fixing brackets. Drill the fixing holes and fit suitable wall plugs.
- Securely mount the metal fixing brackets.
- Align the fitting with the fixing brackets and ensure it is securely clipped in place.
- Undo the clips along the sides of the luminaire body to separate diffuser and gear tray assembly from the base.
- Feed the supply cable through the fitted cable gland. Terminate the cable into the terminal block, ensuring the correct polarity is observed and the unit is earthed.




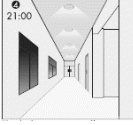
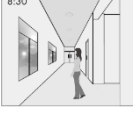
Standard Wiring	Emergency Wiring
- Brown to switched live	- Brown to switched live
- Blue to neutral	- Brown to permanent live
- Green / Yellow to earth	- Blue to neutral
	- Green / Yellow to earth

- Replace and secure the diffuser and gear tray assembly back onto the base. Tighten the cable gland to ensure IP rating is maintained.
- Switch on the power supply and check the operation.

**Quick Emergency Function Test:** Press and hold the red non-latching button fixed inside the luminaire housing; the luminaire will switch to emergency mode. On releasing the test button, luminaire will revert to normal operation mode at maximum brightness.

CCT3 Select	Power Select																							
<p>1. CCT3 Colour selection, accessible via dip switch located on LED Tray</p>  <p>2. To adjust colour temperature, manually adjust dip switches located on the driver</p> <table border="1"> <thead> <tr> <th>Dip Switch 1 2</th> <th>CCT Setting</th> </tr> </thead> <tbody> <tr> <td>● ○</td> <td>6500K</td> </tr> <tr> <td>● ●</td> <td>4000K</td> </tr> <tr> <td>○ ●</td> <td>3000K</td> </tr> </tbody> </table>	Dip Switch 1 2	CCT Setting	● ○	6500K	● ●	4000K	○ ●	3000K	<p>1. Power select feature is accessible via dip switch located on LED Driver</p>  <p>2. Select desired wattage by adjusting dip switches as follows (● =ON, ○=OFF)</p> <table border="1"> <thead> <tr> <th>Dip Switch 1 2</th> <th>System wattage (4ft/5ft Fitting)</th> <th>System wattage (6ft Fitting)</th> </tr> </thead> <tbody> <tr> <td>● ●</td> <td>55W</td> <td>80</td> </tr> <tr> <td>○ ●</td> <td>45W</td> <td>66</td> </tr> <tr> <td>● ○</td> <td>38W</td> <td>56</td> </tr> <tr> <td>○ ○</td> <td>30W</td> <td>40</td> </tr> </tbody> </table>	Dip Switch 1 2	System wattage (4ft/5ft Fitting)	System wattage (6ft Fitting)	● ●	55W	80	○ ●	45W	66	● ○	38W	56	○ ○	30W	40
Dip Switch 1 2	CCT Setting																							
● ○	6500K																							
● ●	4000K																							
○ ●	3000K																							
Dip Switch 1 2	System wattage (4ft/5ft Fitting)	System wattage (6ft Fitting)																						
● ●	55W	80																						
○ ●	45W	66																						
● ○	38W	56																						
○ ○	30W	40																						

**Microwave Settings (BR4253/BR4254/BR4257/BR4258/BR4261/BR4262)**

Settings	Application Example																																																									
<p>Microwave sensor is fully adjustable via dip switches on unit. (● =ON, ○=OFF)</p> <p>1. Sensitivity</p> <table border="1"> <thead> <tr> <th>Sensitivity</th> <th>1</th> </tr> </thead> <tbody> <tr> <td>100%</td> <td>●</td> </tr> <tr> <td>50%</td> <td>○</td> </tr> </tbody> </table> <p>2. Hold Time at 100% Illumination</p> <table border="1"> <thead> <tr> <th>Hold Time</th> <th>2</th> <th>3</th> </tr> </thead> <tbody> <tr> <td>5s</td> <td>●</td> <td>●</td> </tr> <tr> <td>90s</td> <td>○</td> <td>●</td> </tr> <tr> <td>5min</td> <td>●</td> <td>○</td> </tr> <tr> <td>10min</td> <td>○</td> <td>○</td> </tr> </tbody> </table> <p>3. Lux Threshold</p> <table border="1"> <thead> <tr> <th>Lux Threshold</th> <th>4</th> <th>5</th> </tr> </thead> <tbody> <tr> <td>Disable</td> <td>●</td> <td>●</td> </tr> <tr> <td>50Lux</td> <td>○</td> <td>●</td> </tr> <tr> <td>25Lux</td> <td>●</td> <td>○</td> </tr> <tr> <td>10lux</td> <td>○</td> <td>○</td> </tr> </tbody> </table> <p>4. Standby Illumination Period</p> <table border="1"> <thead> <tr> <th>Standby Time</th> <th>6</th> <th>7</th> </tr> </thead> <tbody> <tr> <td>0s</td> <td>○</td> <td>●</td> </tr> <tr> <td>10s</td> <td>○</td> <td>●</td> </tr> <tr> <td>15min</td> <td>●</td> <td>○</td> </tr> <tr> <td>indefinitely</td> <td>○</td> <td>○</td> </tr> </tbody> </table> <p>5. Standby Illumination Level</p> <table border="1"> <thead> <tr> <th>Illumination Level</th> <th>8</th> </tr> </thead> <tbody> <tr> <td>20%</td> <td>●</td> </tr> <tr> <td>30%</td> <td>○</td> </tr> </tbody> </table>	Sensitivity	1	100%	●	50%	○	Hold Time	2	3	5s	●	●	90s	○	●	5min	●	○	10min	○	○	Lux Threshold	4	5	Disable	●	●	50Lux	○	●	25Lux	●	○	10lux	○	○	Standby Time	6	7	0s	○	●	10s	○	●	15min	●	○	indefinitely	○	○	Illumination Level	8	20%	●	30%	○	<p>Hold Time: 5 Min; Daylight Threshold: 50Lux; Standby Dimming Level: 10%; Standby Period: Indefinitely</p> <p>1. Luminaire remains off when natural light level exceeds daylight threshold preset, even if motion is detected.</p>  <p>2. Luminaire automatically turns on at standby level when lux level drops below daylight threshold.</p>  <p>3. When motion is detected, luminaire switches on at hold time brightness level.</p>  <p>4. Luminaire reverts to standby level once there is no longer motion detected.</p>  <p>5. Luminaire will remain at standby level until natural light level exceeds daylight threshold</p> 
Sensitivity	1																																																									
100%	●																																																									
50%	○																																																									
Hold Time	2	3																																																								
5s	●	●																																																								
90s	○	●																																																								
5min	●	○																																																								
10min	○	○																																																								
Lux Threshold	4	5																																																								
Disable	●	●																																																								
50Lux	○	●																																																								
25Lux	●	○																																																								
10lux	○	○																																																								
Standby Time	6	7																																																								
0s	○	●																																																								
10s	○	●																																																								
15min	●	○																																																								
indefinitely	○	○																																																								
Illumination Level	8																																																									
20%	●																																																									
30%	○																																																									

Specification			
Input Voltage:	100V – 240V AC 50Hz	Beam Angle:	120°
Electrical Classification:	Class I	Housing Material/Colour:	Polycarbonate/Grey
Efficacy:	120lm/W	IP/IK Rating:	IP65/IK08
Colour Temperature (CCT):	3000K/4000K/6500K	Battery (Emergency Version):	LiFePO4, 3-hr duration*
CRI Index (Ra):	>80	Standard:	BS EN 60598-1, BS EN 60598-2-1
Energy Efficiency Class	This product contains a light source of energy efficiency class D to Regulation (EU No 2019/2015).		

\*When the unit no longer meets its rated duration of operation, the batteries must be replaced with batteries of the same type, voltage and amp-hour rating

